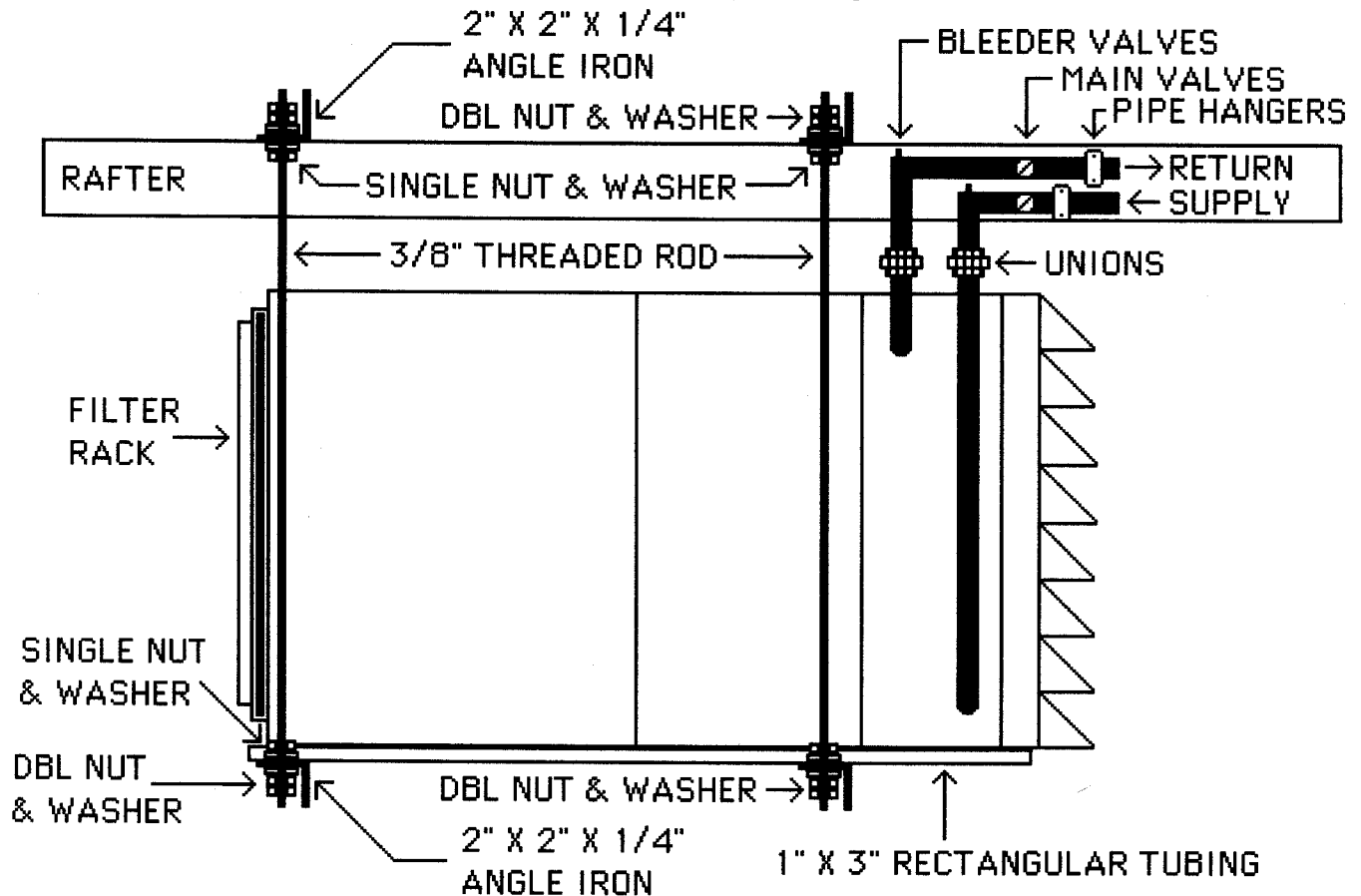


Horizontal Air Handler hanging Illustration. Air handler can be hung facing left or right.

Actual installation may vary.

First check structural strength of rafters to be sure they are capable of carrying the weight of the unit and related installation materials.

Angle iron size is based on a rafter span of 2' on center. If the rafter span is greater than 2' on center heavier angles may be required.



Hanging Installation End View

Install 1" X 3" rectangular tubing 3/4" in from sides.

Anchor rectangular tubing to angle iron with 3/4 X # 10 screws.

